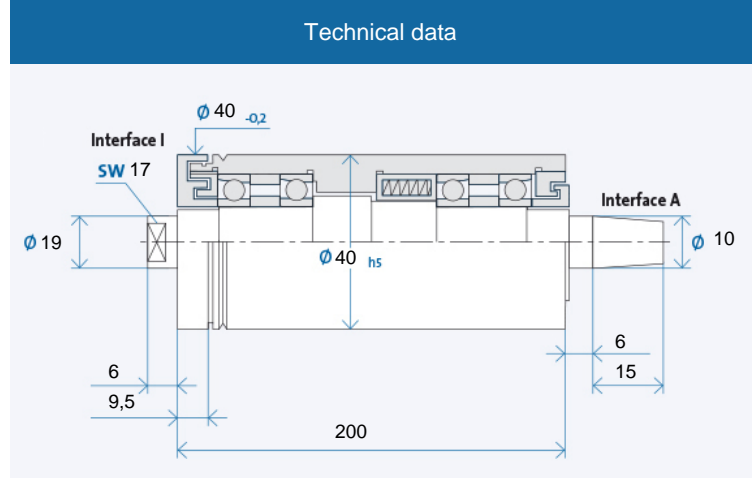


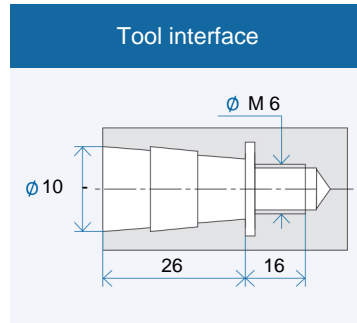
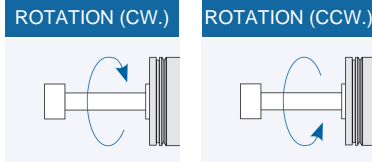
TSI 40 x 200



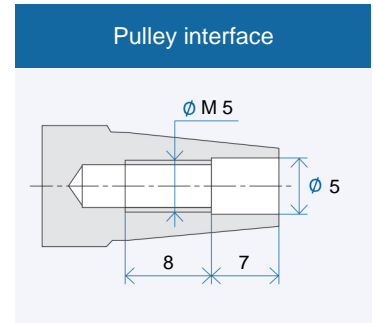
Maximum speed n_{max} [min ⁻¹]* for bearing types:	
Steel (steel)	45000
Hybrid (optional)	55000

* without tool

Ordering information: TSI 40 x 200 R is for clockwise, L for counter-clockwise

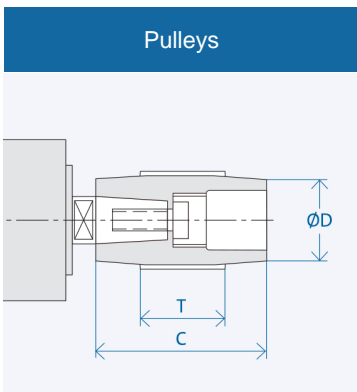


Tool interface: taper 1 : 7,5 nominal value, included angle acc. to GMN precision standards



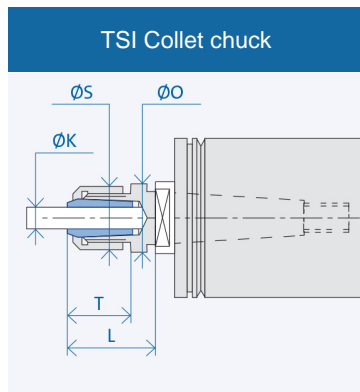
Pulley interface: taper 1 : 7,5 nominal value, included angle acc. to GMN precision standards

Accessories



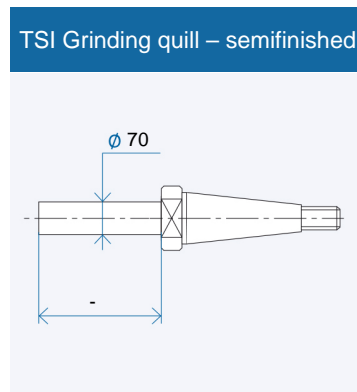
Interface	Dimensions [mm]		
	D	C	T
A 10	18	30	20
	50	30	20
	17	40	20
	20	40	20
	25	40	20
	63	40	20

Ordering information pulley: AX₁-X₂
 X₁: Interface: 10/13/...
 X₂: Figure from column D
 Puller for pulley: AX₇/...



Interface	Dimensions [mm]				
	K	T	L	S	O
I10	3	15,5	25	16	13,5
	4	15,5	25	16	13,5
	5	15,5	25	16	13,5
	6	15,5	25	16	13,5

Ordering information collet chuck: I X₁ - (K)
 X₁: Interface: 10/14/...
 (K) = Inner diameter collet chuck



Ordering information semifinished: I X₁
 X₁: Interface 10/14/...

This data sheet reflects the state of information at the time of printing. Subject to technical changes. Information on possible options can be obtained from our catalogue which can be downloaded at www.gmn.de