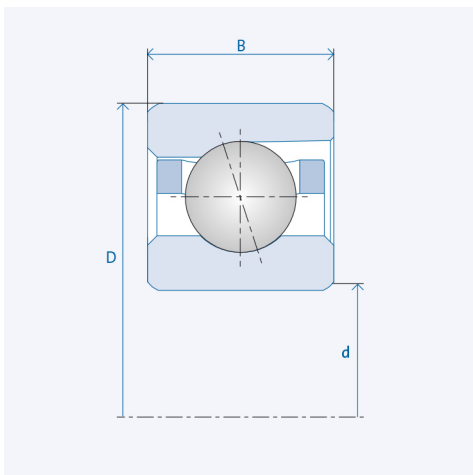
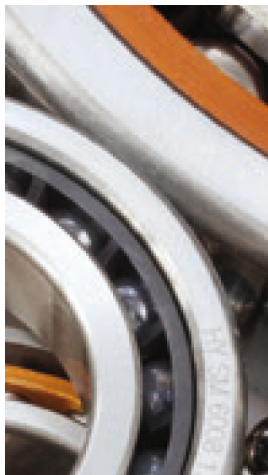


Spindle ball bearings (HY)* S 61905 C



Precision class P4 / ABEC7

Components

Bearing designation:	(HY)* S 61905 C
Bearing design:	S
Series / size:	61905
Ball material:	Steel 100Cr6
Ball material HY :	Ceramic Si3N4
Cage:	TA (TXM available upon request)
Precision:	P4 (HG, UP, P2 upon request)
Main dimensions [d x D x B]:	25 x 42 x 9 mm

Technical data (Standard bearings)

Static load capacity C_0 :	5400
Dynamic load capacity C:	7700
Speed limit n_{Fett} :	37500
Speed limit n_{Oj} :	50000

Technical data (Hybrid bearings)*

Static load capacity C_{0HY} :	3800
Dynamic load capacity C_{HY} :	7700
Speed limit n_{Fett} :	46875
Speed limit n_{Oj} :	62500

Pre-tension

Light (L):	40 N
Axial rigidity (C_{ax}):	29 N/ μ m
Medium (M):	120 N
Axial rigidity (C_{ax}):	48 N/ μ m
Heavy (S):	240 N
Axial rigidity (C_{ax}):	67 N/ μ m
Spring preload (Ff):	200 N

The given speed limits apply to individual bearings with spring preload. Correction factors must be considered for all properties which deviate from this.

* All ball bearings are also available as hybrid ball bearings (HY).