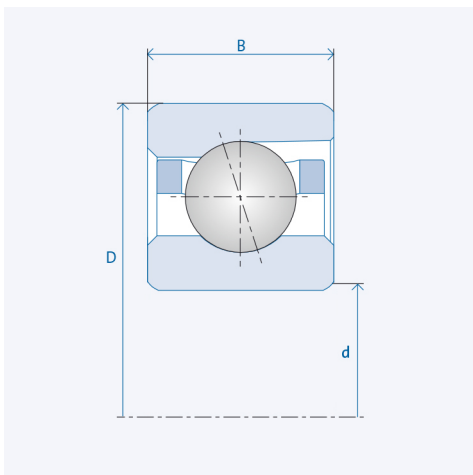
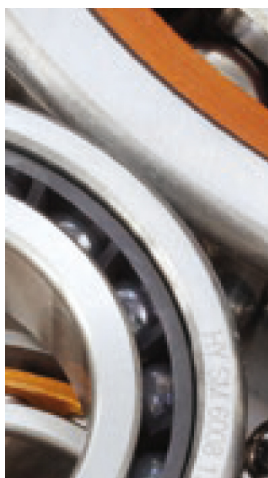


Spindle ball bearings (HY)* S 6202 C



Precision class P4 / ABEC7

Components

Bearing designation:	(HY)* S 6202 C
Bearing design:	S
Series / size:	6202
Ball material:	Steel 100Cr6
Ball material HY :	Ceramic Si3N4
Cage:	TA (TXM available upon request)
Precision:	P4 (HG, UP, P2 upon request)
Main dimensions [d x D x B]:	15 x 35 x 11 mm

Technical data (Standard bearings)

Static load capacity C_0 :	4850
Dynamic load capacity C:	9000
Speed limit n_{Fett} :	50250
Speed limit n_{Oj} :	67000

Technical data (Hybrid bearings)*

Static load capacity C_{0HY} :	3450
Dynamic load capacity C_{HY} :	9000
Speed limit n_{Fett} :	62812.5
Speed limit n_{Oj} :	83750

Pre-tension

Light (L):	45 N
Axial rigidity (C_{ax}):	25 N/ μ m
Medium (M):	130 N
Axial rigidity (C_{ax}):	41 N/ μ m
Heavy (S):	270 N
Axial rigidity (C_{ax}):	59 N/ μ m
Spring preload (Ff):	230 N

The given speed limits apply to individual bearings with spring preload. Correction factors must be considered for all properties which deviate from this.

* All ball bearings are also available as hybrid ball bearings (HY).