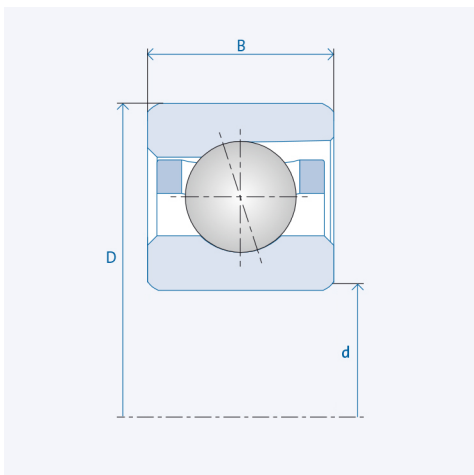
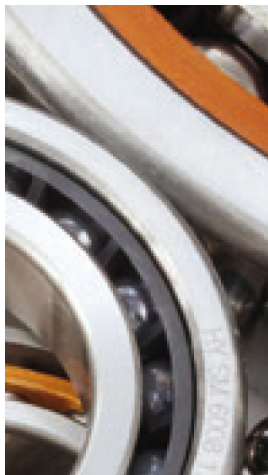


# Spindle ball bearings (HY)\* S 6200 E



## Precision class P4 / ABEC7

### Components

Bearing designation:	(HY)* S 6200 E
Bearing design:	S
Series / size:	6200
Ball material:	Steel 100Cr6
Ball material HY :	Ceramic Si3N4
Cage:	TA (TXM available upon request)
Precision:	P4 (HG, UP, P2 upon request)
Main dimensions [d x D x B]:	10 x 30 x 9 mm

### Technical data (Standard bearings)

Static load capacity $C_0$ :	3600
Dynamic load capacity C:	7250
Speed limit $n_{Fett}$ :	54000
Speed limit $n_{Oj}$ :	72000

### Technical data (Hybrid bearings)\*

Static load capacity $C_{0HY}$ :	2550
Dynamic load capacity $C_{HY}$ :	7250
Speed limit $n_{Fett}$ :	67500
Speed limit $n_{Oj}$ :	90000

### Pre-tension

Light (L):	60 N
Axial rigidity ( $C_{ax}$ ):	54 N/ $\mu$ m
Medium (M):	180 N
Axial rigidity ( $C_{ax}$ ):	81 N/ $\mu$ m
Heavy (S):	360 N
Axial rigidity ( $C_{ax}$ ):	110 N/ $\mu$ m
Spring preload (Ff):	265 N

The given speed limits apply to individual bearings with spring preload. Correction factors must be considered for all properties which deviate from this.

\* All ball bearings are also available as hybrid ball bearings (HY).