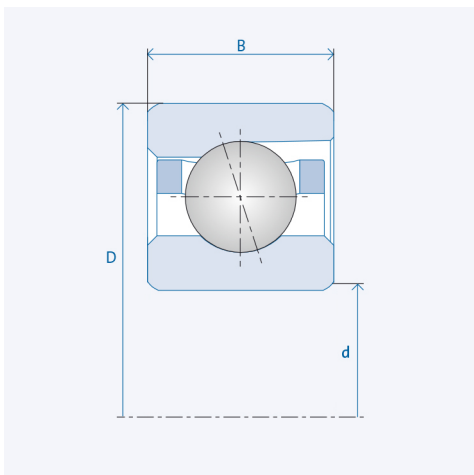


Spindle ball bearings (HY)* S 619/8 C



Precision class P4 / ABEC7

Components

Bearing designation:	(HY)* S 619/8 C
Bearing design:	S
Series / size:	619/8
Ball material:	Steel 100Cr6
Ball material HY :	Ceramic Si3N4
Cage:	TA (TXM available upon request)
Precision:	P4 (HG, UP, P2 upon request)
Main dimensions [d x D x B]:	8 x 19 x 6 mm

Technical data (Standard bearings)

Static load capacity C_0 :	1170
Dynamic load capacity C:	2600
Speed limit n_{Fett} :	93750
Speed limit n_{Oj} :	125000

Technical data (Hybrid bearings)*

Static load capacity C_{0HY} :	820
Dynamic load capacity C_{HY} :	2600
Speed limit n_{Fett} :	117187.5
Speed limit n_{Oj} :	156250

Pre-tension

Light (L):	12 N
Axial rigidity (C_{ax}):	12 N/ μ m
Medium (M):	35 N
Axial rigidity (C_{ax}):	19 N/ μ m
Heavy (S):	70 N
Axial rigidity (C_{ax}):	27 N/ μ m
Spring preload (Ff):	70 N

The given speed limits apply to individual bearings with spring preload. Correction factors must be considered for all properties which deviate from this.

* All ball bearings are also available as hybrid ball bearings (HY).