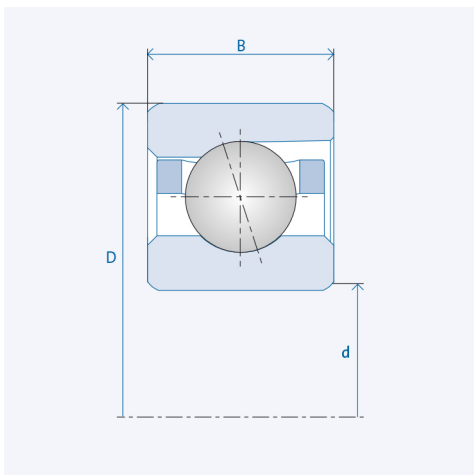


# Spindle ball bearings (HY)\* S 619/5 C



## Precision class P4 / ABEC7

### Components

Bearing designation:	(HY)* S 619/5 C
Bearing design:	S
Series / size:	619/5
Ball material:	Steel 100Cr6
Ball material HY :	Ceramic Si3N4
Cage:	TA (TXM available upon request)
Precision:	P4 (HG, UP, P2 upon request)
Main dimensions [d x D x B]:	5 x 13 x 4 mm

### Technical data (Standard bearings)

Static load capacity $C_0$ :	430
Dynamic load capacity C:	1200
Speed limit $n_{Fett}$ :	142500
Speed limit $n_{Oj}$ :	190000

### Technical data (Hybrid bearings)\*

Static load capacity $C_{0HY}$ :	300
Dynamic load capacity $C_{HY}$ :	1200
Speed limit $n_{Fett}$ :	178125
Speed limit $n_{Oj}$ :	237500

### Pre-tension

Light (L):	6 N
Axial rigidity ( $C_{ax}$ ):	7 N/ $\mu$ m
Medium (M):	18 N
Axial rigidity ( $C_{ax}$ ):	11 N/ $\mu$ m
Heavy (S):	36 N
Axial rigidity ( $C_{ax}$ ):	15 N/ $\mu$ m
Spring preload (Ff):	35 N

The given speed limits apply to individual bearings with spring preload. Correction factors must be considered for all properties which deviate from this.

\* All ball bearings are also available as hybrid ball bearings (HY).