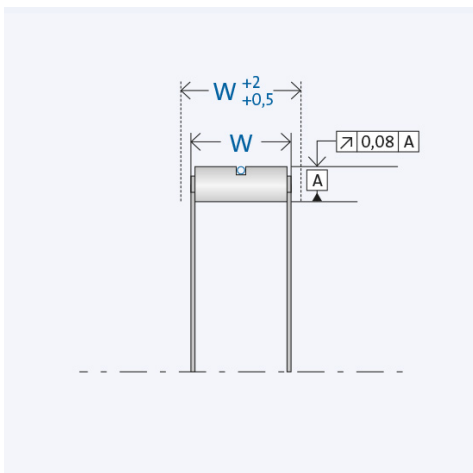
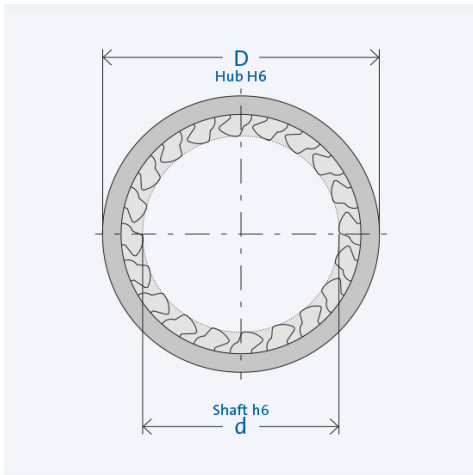
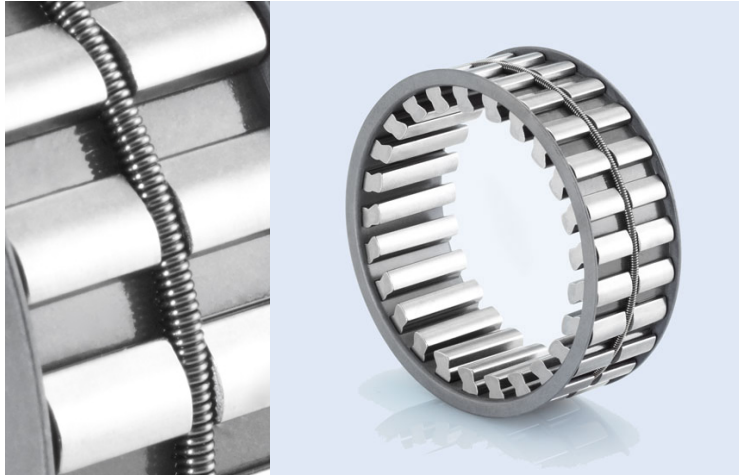


# Insert Element FES 8123 Z 25



Item number 300561

## Components

<b>Freewheel clutch</b>	<b>Insert Element FE 8000 Z</b>
· Spring	Tension spring (Z)
· Cage	Stamped/ drawn steel
· Sprags	Hardened bearing steel
	Start gap height $h_0 = 8,33$ mm

## Key values

Ø Shaft d:	123.34 mm
Ø Hub D:	140 mm
Installed width W:	25 mm
Torque $T_{nom}$ :	6600 Nm
Speed $n_{max}$ :	0 rpm
Number of sprags:	54
Weight:	0.367 kg
Operating temperature:	max. 170°C

## Lubrication

Oil or grease lubrication

Delivered with corrosion protection.

Operative grease filling on request.

## Installation

Installation tolerances

Shaft h6; hub H6

Inner ring/shaft

Steel, HRC 60<sup>+4</sup> (HV 700<sup>+100</sup>); Eht ≥ 1,3 mm; Rz ≤ 2,5 μm

Outer ring/housing

Steel, HRC 60<sup>+4</sup> (HV 700<sup>+100</sup>); Eht ≥ 1,3 mm; Rz ≤ 2,5 μm

Constraints

The freewheel clutch insert element requires axial constraints on both sides.

Mating parts

Hardening and grinding of the mating parts is necessary. Chamfered shafts and hubs ease installation.

Bearing

Freewheel clutch insert elements are not self-centering. External bearing support to define the gap between mating parts (Shaft and housing) is necessary.