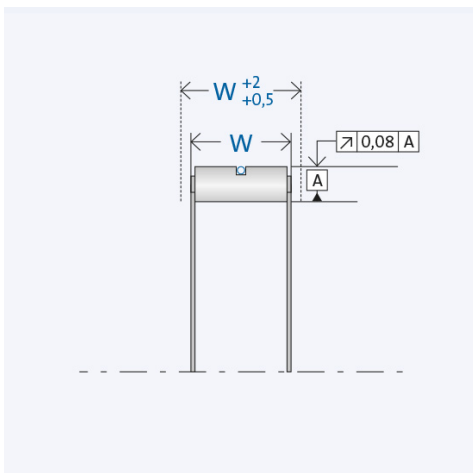
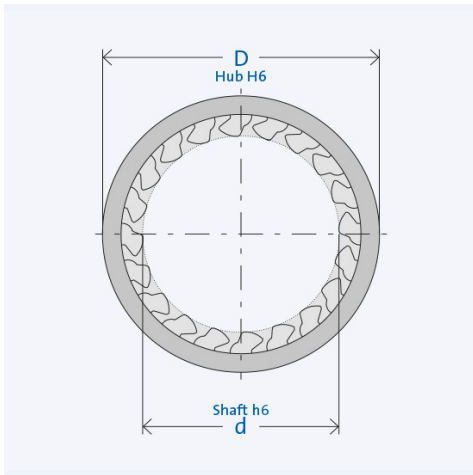
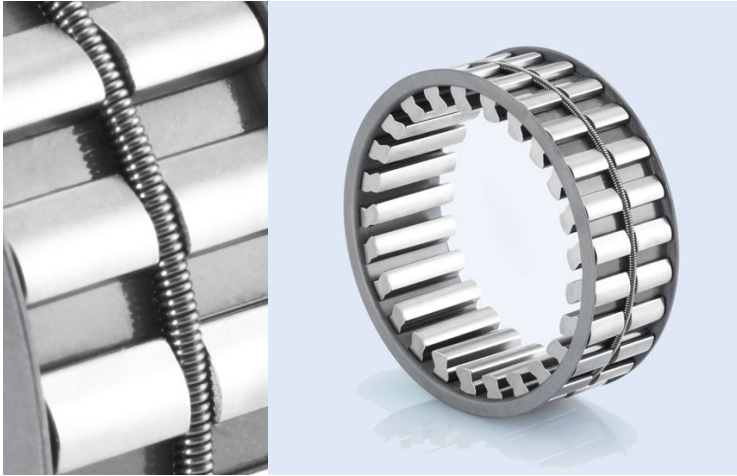


# Insert Element FE 8160 Z 25



Item number 306344

## Components

<b>Freewheel clutch</b>	<b>Insert Element FE 8000 Z</b>
· Spring	Tension spring (Z)
· Cage	Stamped/ drawn steel
· Sprags	Hardened bearing steel
	Start gap height $h_0 = 8,33 \text{ mm}$

## Key values

Ø Shaft d:	160 mm
Ø Hub D:	176.66 mm
Installed width W:	25 mm
Torque $T_{nom}$ :	9096 Nm
Speed $n_{max}$ :	0 rpm
Number of sprags:	65
Weight:	0.45 kg
Operating temperature:	max. 170°C

## Lubrication

Oil or grease lubrication  
 Delivered with corrosion protection.  
 Operative grease filling on request.

## Installation

### Installation tolerances

Shaft h6; hub H6

### Inner ring/shaft

Steel, HRC 60<sup>+4</sup> (HV 700<sup>+100</sup>); Eht ≥ 1,3 mm; Rz ≤ 2,5 μm

### Outer ring/housing

Steel, HRC 60<sup>+4</sup> (HV 700<sup>+100</sup>); Eht ≥ 1,3 mm; Rz ≤ 2,5 μm

### Constraints

The freewheel clutch insert element requires axial constraints on both sides.

### Mating parts

Hardening and grinding of the mating parts is necessary. Chamfered shafts and hubs ease installation.

### Bearing

Freewheel clutch insert elements are not self-centering. External bearing support to define the gap between mating parts (Shaft and housing) is necessary.