

# Ball Bearing Freewheel Clutch Unit FKN 6206



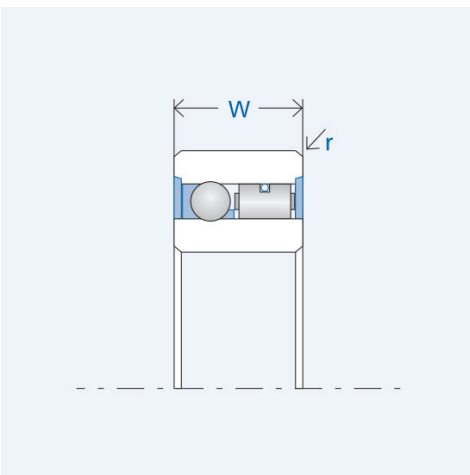
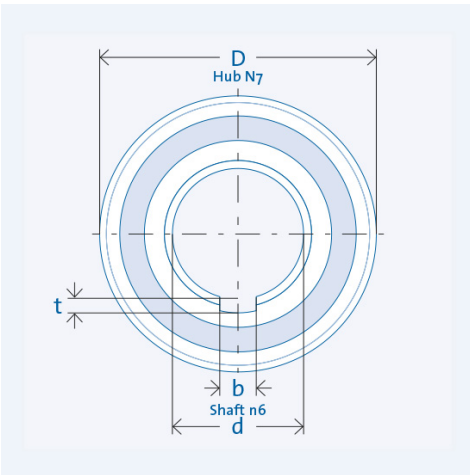
Item number 301145

## Components

|                         |                                    |
|-------------------------|------------------------------------|
| <b>Freewheel clutch</b> | <b>Insert Element FE 400 Z2</b>    |
| · Rings                 | Bearing steel, hardened and ground |
| Inner ring              | Keyway per DIN 6885, Sheet 3       |
|                         | Tolerance: P9 with back clearance  |
| Outer ring              | Press fit                          |
| · Ball bearings         | integrated                         |

## Key values

|                            |            |
|----------------------------|------------|
| Ø Shaft d:                 | 30 mm      |
| Ø Hub D:                   | 62 mm      |
| Installed width W:         | 16 mm      |
| Edge radius r:             | 1,5 mm     |
| Keyway width b:            | 8 mm       |
| Keyway depth t:            | 2 mm       |
| Torque $T_{nom}$ :         | 148 Nm     |
| Speed $n_{max}$ :          | 5100 rpm   |
| Weight:                    | 0.2287 kg  |
| Load capacity $C_{dyn}$ :  | 7859 N     |
| Load capacity $C_{stat}$ : | 6066 N     |
| Operating temperature:     | max. 140°C |



## Lubrication

without seals

delivered with corrosion protection only  
external oil- or grease lubrication required

with seals (-RS/-2RS)

incl. operative lifetime grease lubrication

## Installation

Installation tolerances

Shaft n6; hub N7

Mating parts

Hardening and grinding of the mating parts is not necessary. Thoroughly clean (grease free) the mating parts in the vicinity of the freewheel clutch as well as the freewheel clutch's rings before making the press fit.

Bearing

The freewheel clutch includes ball and roller bearings. Additional external bearing support is not necessary.

Press fit pressure

Press fit pressure must not be applied to the balls.

Clamping direction

The arrow on the inner ring designates the inner ring's clamping direction.

# Ball Bearing Freewheel Clutch Unit FKN 6206