

# Ball Bearing Freewheel Clutch Unit FKN 6204-2RS



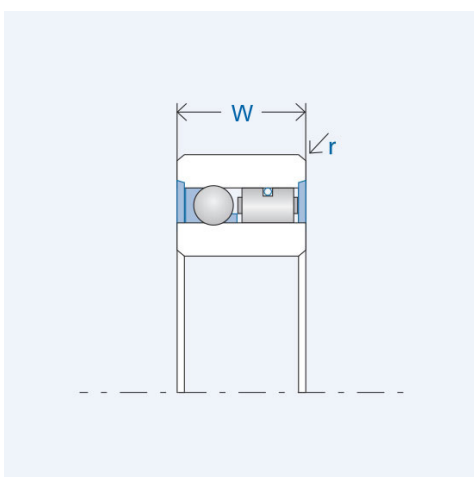
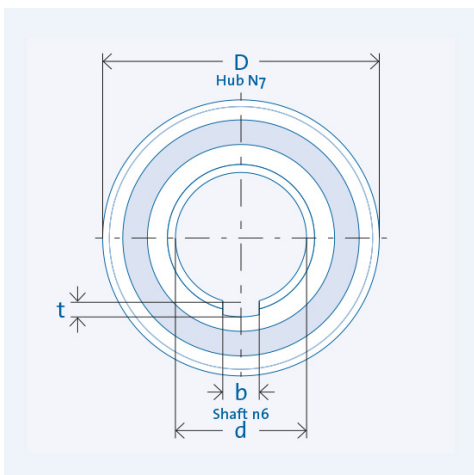
Item number 301125

## Components

|                         |                                    |
|-------------------------|------------------------------------|
| <b>Freewheel clutch</b> | <b>Insert Element FE 400 Z2</b>    |
| · Rings                 | Bearing steel, hardened and ground |
| Inner ring              | Keyway per DIN 6885, Sheet 1       |
|                         | Tolerance: P9 with back clearance  |
| Outer ring              | Press fit                          |
| · Ball bearings         | integrated                         |

## Key values

|                            |            |
|----------------------------|------------|
| Ø Shaft d:                 | 20 mm      |
| Ø Hub D:                   | 47 mm      |
| Installed width W:         | 14 mm      |
| Edge radius r:             | 1,5 mm     |
| Keyway width b:            | 6 mm       |
| Keyway depth t:            | 1,6 mm     |
| Torque $T_{nom}$ :         | 60 Nm      |
| Speed $n_{max}$ :          | 7500 rpm   |
| Weight:                    | 0.1192 kg  |
| Load capacity $C_{dyn}$ :  | 6869 N     |
| Load capacity $C_{stat}$ : | 4268 N     |
| Operating temperature:     | max. 140°C |



## Lubrication

Oil or grease lubrication

Delivered with corrosion protection.

## Installation

Installation tolerances

Shaft n6; hub N7

Mating parts

Hardening and grinding of the mating parts is not necessary. Thoroughly clean (grease free) the mating parts in the vicinity of the freewheel clutch as well as the freewheel clutch's rings before making the press fit.

Bearing

The freewheel clutch includes ball and roller bearings. Additional external bearing support is not necessary.

Press fit pressure

Press fit pressure must not be applied to the balls.

Clamping direction

The arrow on the inner ring designates the inner ring's clamping direction.