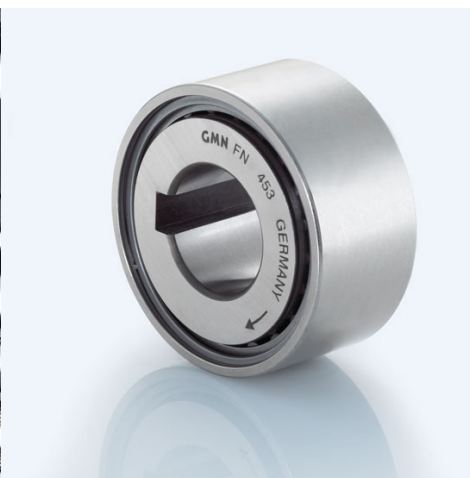


Complete Freewheel Clutch Unit FN 470 Z



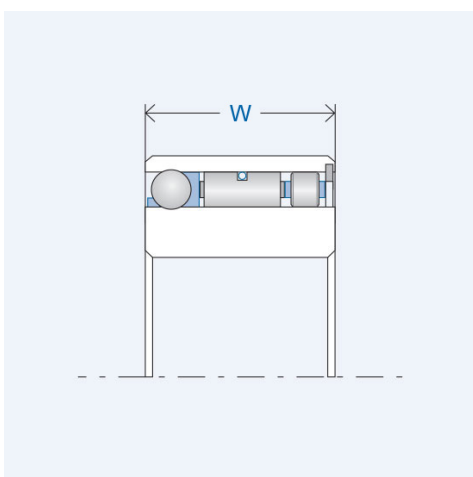
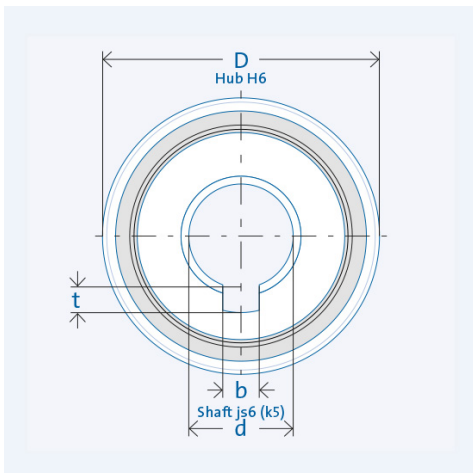
Item number 300733

Components

Freewheel clutch	Insert Element FE 400 Z
· Rings	Bearing steel, hardened and ground
Inner ring	Keyway per DIN 6885, Sheet 1
	Tolerance: P9 with back clearance
Outer ring	Press fit
· Ball bearings	integrated
· Roller bearing	RL 400

Key values

Ø Shaft d:	40 mm
Ø Hub D:	75 mm
Installed width W:	27 mm
Torque T_{nom} :	509 Nm
Number of sprags:	68
Speed n_{max} :	2600 rpm
Weight:	0.546 kg
Load capacity C_{dyn} :	14050 N
Load capacity C_{stat} :	19840 N
Keyway width b:	12 mm
Keyway depth t:	3,3 mm
Operating temperature:	max. 140°C



Lubrication

Oil or grease lubrication

Delivered with corrosion protection.
Operative grease filling on request.

Installation

Installation tolerances

Shaft js6 (k5); hub H6

Mating parts

Hardening and grinding of the mating parts is not necessary.
Thoroughly clean (grease free) the mating parts in the vicinity of the freewheel clutch as well as the freewheel clutch's rings before making the press fit.

Bearing

The freewheel clutch includes ball and roller bearings.
Additional external bearing support is not necessary.

Press fit pressure

Press fit pressure must not be applied to the balls.

Clamping direction

The arrow on the inner ring designates the inner ring's clamping direction.