

# Complete Freewheel Clutch Unit FP 427 Z



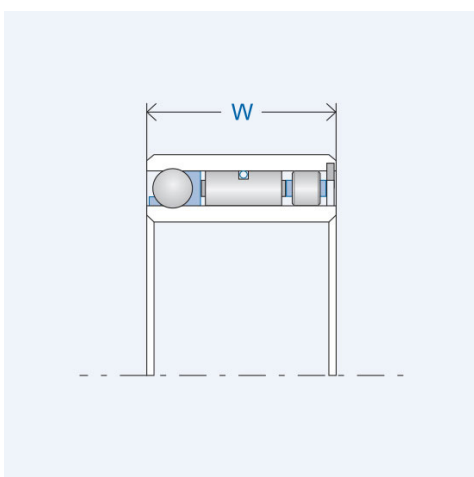
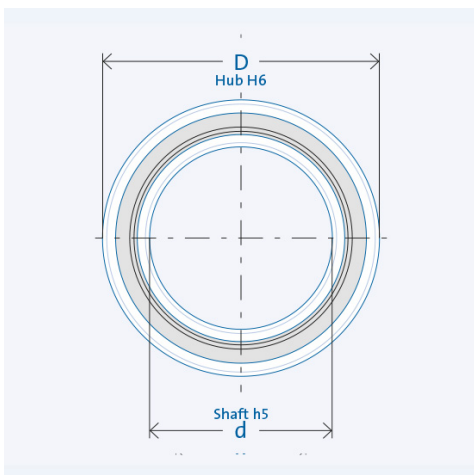
Item number 300664

## Components

|                         |                                    |
|-------------------------|------------------------------------|
| <b>Freewheel clutch</b> | <b>Insert Element FE 400 Z</b>     |
| · Rings                 | Bearing steel, hardened and ground |
| Inner ring              | Press fit                          |
| Outer ring              | Press fit                          |
| · Ball bearings         | integrated                         |
| · Roller bearing        | integrated                         |

## Key values

|                            |            |
|----------------------------|------------|
| Ø Shaft d:                 | 15 mm      |
| Ø Hub D:                   | 31 mm      |
| Installed width W:         | 27 mm      |
| Torque $T_{nom}$ :         | 84 Nm      |
| Number of sprags:          | 24         |
| Speed $n_{max}$ :          | 7400 rpm   |
| Weight:                    | 0.085 kg   |
| Load capacity $C_{dyn}$ :  | 7679 N     |
| Load capacity $C_{stat}$ : | 6397 N     |
| Operating temperature:     | max. 140°C |



## Lubrication

### Oil or grease lubrication

Delivered with corrosion protection.  
Operative grease filling on request.

## Installation

### Installation tolerances

Shaft h5; hub H6

### Mating parts

Hardening and grinding of the mating parts is not necessary. Thoroughly clean (grease free) the mating parts in the vicinity of the freewheel clutch as well as the freewheel clutch's rings before making the press fit.

### Bearing

The freewheel clutch includes ball and roller bearings. Additional external bearing support is not necessary.

### Press fit pressure

Press fit pressure must not be applied to the balls.

### Clamping direction

The arrow on the inner ring designates the inner ring's clamping direction.