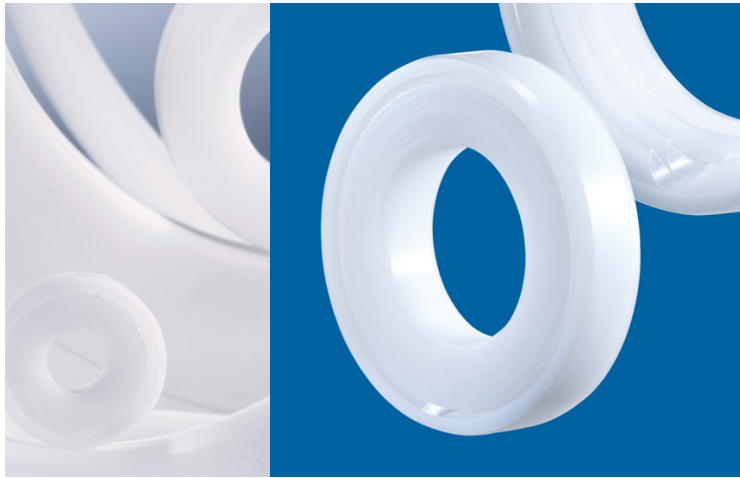


Labyrinth plastic seal Type SA



SA 125 X 170 X 15

Item number 302008

Technical data

Material:	High-quality polyoxymethylene (POM)
Inner diameter ID:	125 mm
Outer diameter OD:	170 mm
Installed width W:	15 mm
Sealing gap:	Conical
Axial play S_{ax}^* :	0.8 mm
Gap diameter e_1 :	146 mm
Gap diameter e_2 :	162 mm
Speed limit:	5400 rpm
Weight:	0.2065 kg
Operating temperature t:	-40° - 60°C

*Entire movability from one end position to the other

Heavy and direct splashing liquids could be drained through an additional groove in the outer ring – for rotating shafts only.

Installation

"l" Length (chamfering of shaft and housing) depending on the width W: $l = 0,1 \times B$

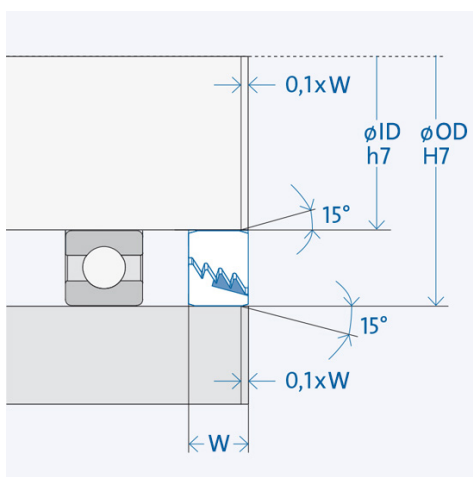
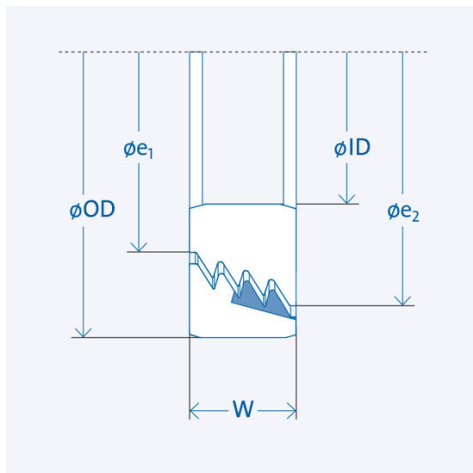
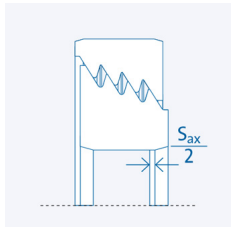
Component tolerances

Surrounding structure (mating parts)

Housing: H7 / Shaft: h7

Surface quality: $Rz \leq 16 \mu\text{m}$; $Ra \leq 3,2 \mu\text{m}$

Axial play:



The larger gap diameter e_2 must always face the impact.

The groove in the stationary part must be positioned at the lowest point.