



Tandem Labyrinth Seal

„you better seal twice“

NEW!

The Tandem Labyrinth Seal - a solution against heavy splashing liquids.

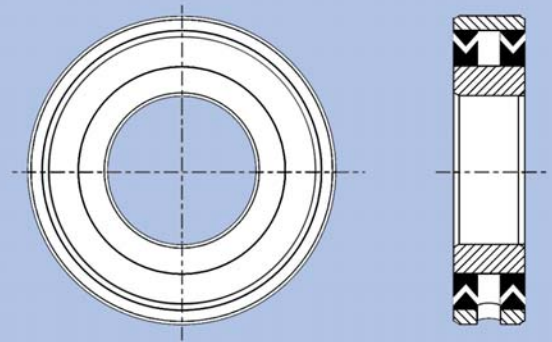
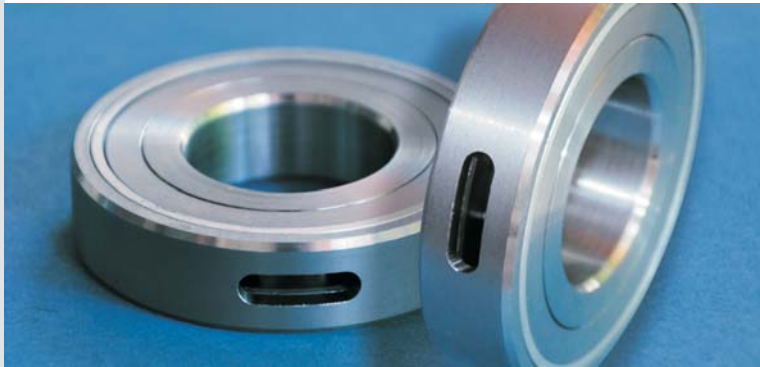
The Non-Contact Tandem Labyrinth Seal is a combination of two thin Labyrinth Seals with additional inner ring and outer ring.

Highest sealing efficiency is guaranteed with the two seals in a row and a certain distance with a drain hole in between. With this design any liquid between the seals could be drained reliably.

Function

The bore in the middle of the outer ring drains any passing liquid reliably.

With this design the inside area could be sealed against heavy splashing liquids.



- no friction
- no wear
- no abrasion
- no increased temperatures
- efficient
- back transporting
- no maintenance
- for high speed applications
- no lubrication required
- ready to install
- against heavy splashing liquids
- easy to install

Advantages

The Tandem Labyrinth Seal could be installed easily (press fit) without any additional adjustment. The thin internal Non-contact Seals are already installed and fixed in the non-contact position.

Thanks to the symmetric design the Seal could be used in both directions:
Outside contamination is kept outside, internal media stays inside!

Sizes

All shaft diameters up to maximum 110 mm are possible.

In applications against corrosive media the Labyrinth Tandem Seal could be produced from stainless steel and aluminium alternatively.

Further information could be found in our catalog "GMN Non-Contact Seals" or at our web page www.gmn.de.